

产品规格书
PRODUCT SPECIFICATION

客户名称/Customer	
客户料号/Part No.	
客户承认签章 Customer Approved Signatures	

供方/Supplier	友容新源电气（昆山）有限公司 Cfriend Electric (kunshan) Co.,Ltd
文件编号/Spec No.	CF-PS09112701
品名/Description	FUSE
型号/Model	CFH3 <input type="checkbox"/> <input type="checkbox"/> <input type="checkbox"/> AI/BI
日期/Date	2019-1-23
设计/Designed By	批准/Approved By
胡曾	蒋秋

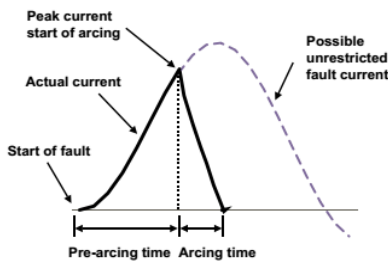
地址：中国江苏省昆山市周市镇陆扬友谊北路153号
ADD:No.153, Youyi North road, Zhoushi Town, Kunshan City,
Jiangsu Province in china

电话/Tel: 86-512-36698841 传真/Fax: 86-512-36698843

Http: www.cfriend-electric.com

CFH-FUSES Fuses for Semiconductor Protection IEC60269-1/IEC60269-4 standard

Size	Rated Voltage	Operating Class	Rated Breaking Capacity
3	ac 690V	aR	690Vac@100kA
	ac 600V		
	ac 550V		



型号 Product model

- CFH3□□□AI/BI

型号诠释 Product Illustration

C F H 3 □□□ B I
 ① ② ③ ④ ⑤ ⑥ ⑦

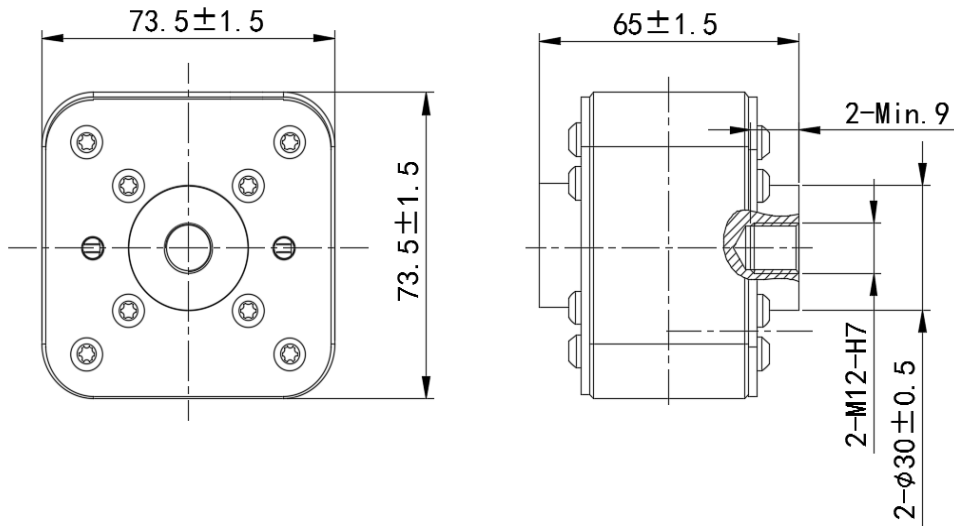
- ① 快速半导体保护用方体熔断体 (Fast-acting body fuses for semiconductor protection)
- ② 额定电压 (Rated Voltage): F 690Vac
- ③ 安装方式 (Way of Mounting): H 平端安装 (Flat end installation)
- ④ 管号规格 (Size): 3: 3号管 (size 3)
- ⑤ 额定电流 (Rated Current): 500A- 1600A
- ⑥ 安装距离 (Mounting Distance): A 50mm/51mm B 65mm
- ⑦ 指示类型 (Type of Indication): I I order

描述 Description

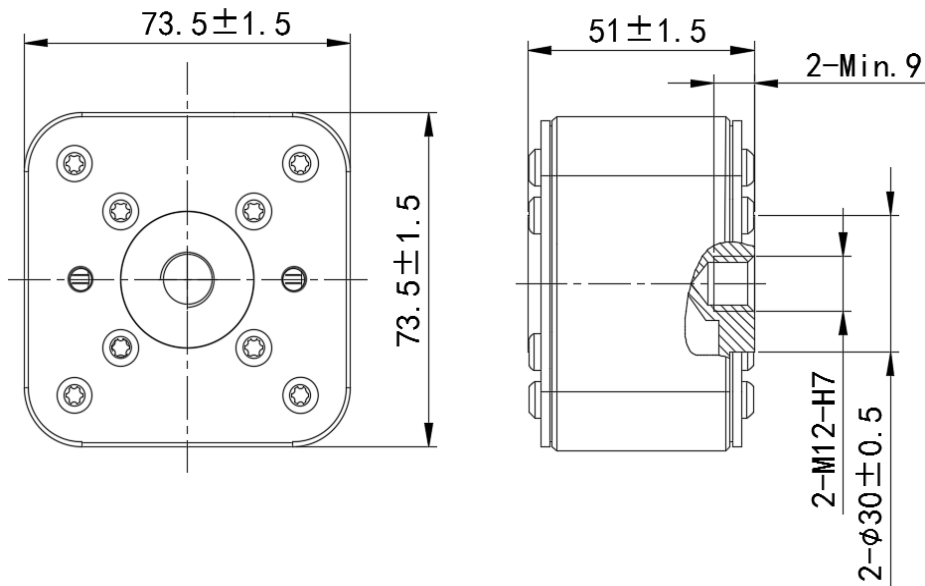
- 安全可靠的螺栓连接方式 (Safe and reliable connection way of bolting)
- 优越的电气性能，迅速切断系统中的故障电流。(Excellent electric performance, cut down fault current fastly)
- 设计符合 IEC60269-4 (Design according to IEC60269-4)
- 产品过程符合ISO9001质量管理体系要求 (Product Process Conforms to ISO9001)
- 产品符合RoHS (Product conform to ROHS)

外形尺寸 Dimensions (单位/ unit: mm)

CFH3XXXBI



CFH3XXXAI

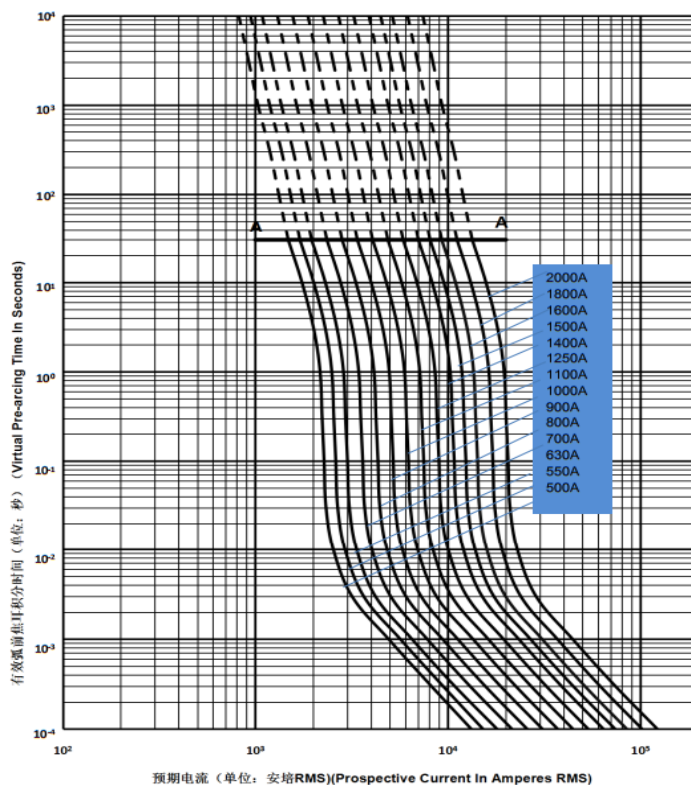


物料选择 Selection and ordering data

Size	Rated current 【A】	Rated voltage 【V】	Part Number	Power Loss 【W】	Pre-arcing I^2t 【A ² S】	Total @690V I^2t 【A ² S】	Weight 【Kg/PCS】	Pack	
3	500	690	CFH3050AI	87	15000	94000	0.9	1	
	550		CFH3055AI	90	19000	130000	0.9	1	
	630		CFH3063AI	95	31000	200000	0.9	1	
	700		CFH3070AI	100	45000	300000	0.9	1	
	800		CFH3080AI	105	65000	460000	0.9	1	
	900		CFH3090AI	110	90000	660000	0.9	1	
	1000		CFH3100AI	115	140000	955000	0.9	1	
	1100		CFH3110AI	120	180000	1310000	0.9	1	
	1250		CFH3125AI	125	280000	1800000	0.9	1	
	1400		CFH3140AI	130	375000	2500000	0.9	1	
	1500		CFH3150AI	140	450000	3200000	0.9	1	
	1600		CFH3160BI	155	570000	3850000	0.95	1	
	1800		600	CFH3180BI	165	870000	5300000	0.95	1
	2000		550	CFH3200BI	180	1180000	6400000	0.95	1

时间电流特性曲线 Time- Current Characteristics Curve

时间-电流曲线 (Time -Current Curve)



使用条件 Operating condition

No	项目 Item	要求 Requirements
1	使用电压范围 Operating voltage	≤690V
2	使用环境 Operating environment	-40℃~85℃ RH<50%(≥40℃) RH<90%(≤20℃)
3	保存环境 Storage environment	-5℃~40℃ RH<75%
4	海拔高度 altitude	≤3000m(超出范围请咨询厂商)
5	安装扭矩 Install torque	M8 12±1N.m