

产品规格书
PRODUCT SPECIFICATION

客户名称/Customer	
客户料号/Part No.	
客户承认签章 Customer Approved Signatures	

供方/Supplier	友容新源电气（昆山）有限公司 Cfriend Electric (kunshan) Co.,Ltd
文件编号/Spec No.	CF-PS20210911002
品名/Description	FUSE
型号/Model	CFM3***LT
日期/Date	2021-9-11
设计/Designed	批准/Approved
胡曾	kevin

地址：中国江苏省昆山市周市镇陆扬友谊北路153号
ADD:No.153, Youyi North road, Zhoushi Town, Kunshan City,
Jiangsu Province in china

电话/Tel: 86-512-36698841

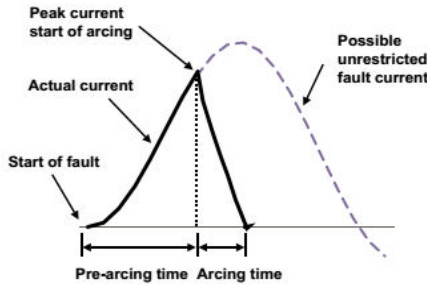
传真/Fax: 86-512-36698843

Http: www.cfriend-electric.com

CFM-FUSES Fuses for Semiconductor Protection
IEC60269-4/IEC60269-1 standard

SIZE	Rated Voltage	Operating Class	Rated Breaking Capacity
------	---------------	-----------------	-------------------------

3	ac 690V	a R	690V@100kA
---	---------	-----	------------



型号 Product model

- CFM3XXXLT

型号诠释 Product Illustration

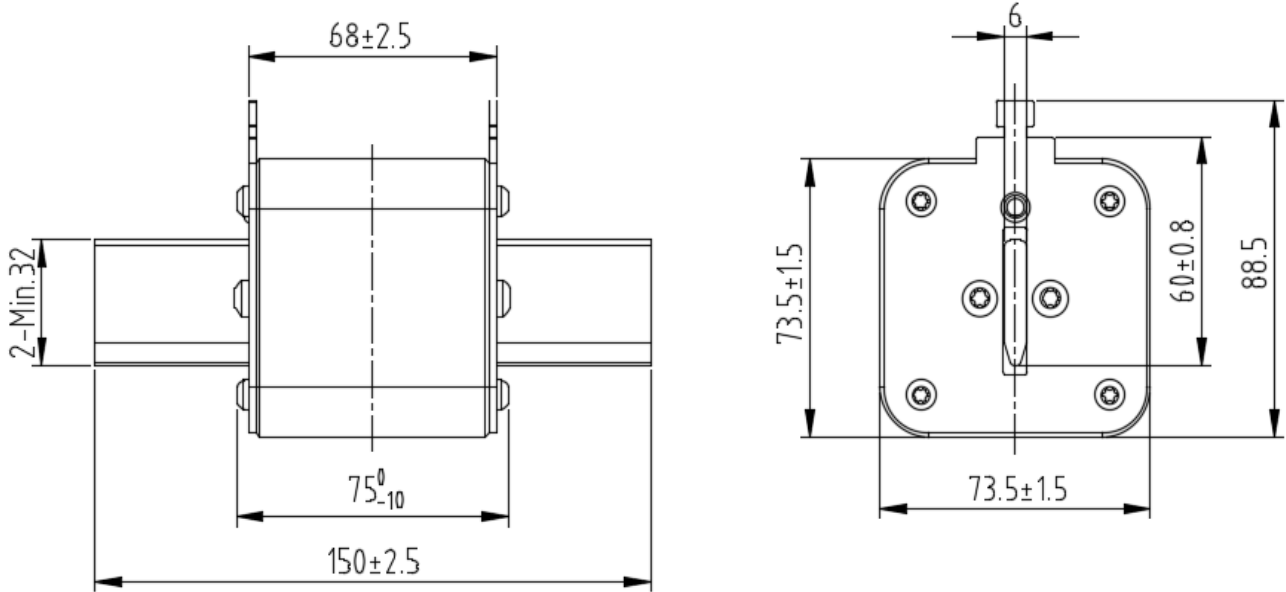
C F M 3 □□□ L T
 ① ② ③ ④ ⑤ ⑥ ⑦

- ① 交流快速半导体保护用熔断体 (AC fast-acting fuses for semiconductor protection)
- ② 额定电压(Rated Voltage): F 690Vac
- ③ 安装方式(Way of Mounting): M 插入式安装(DIN43620刀型)
- ④ 管号规格(Size): 3 3号管 (size 3)
- ⑤ 额定电流(Rated Current): A
- ⑥ 安装距离(Mounting Distance): L 150mm
- ⑦ 指示类型(Type of Indication): T (T Order)

描述 Description

- 优越的电气性能，迅速切断系统中的故障电流。
(Excellent electric performance, cut down fault current fastly)
- 设计符合 IEC60269-4/GB/T13539.4 (Design according to IEC60269-4/GB/T13539.4)
- 产品过程符合IS09001质量管理体系要求 (Product Process Conforms to IS09001)
- 产品、包装符合RoHS (Product and Package conform to ROHS)

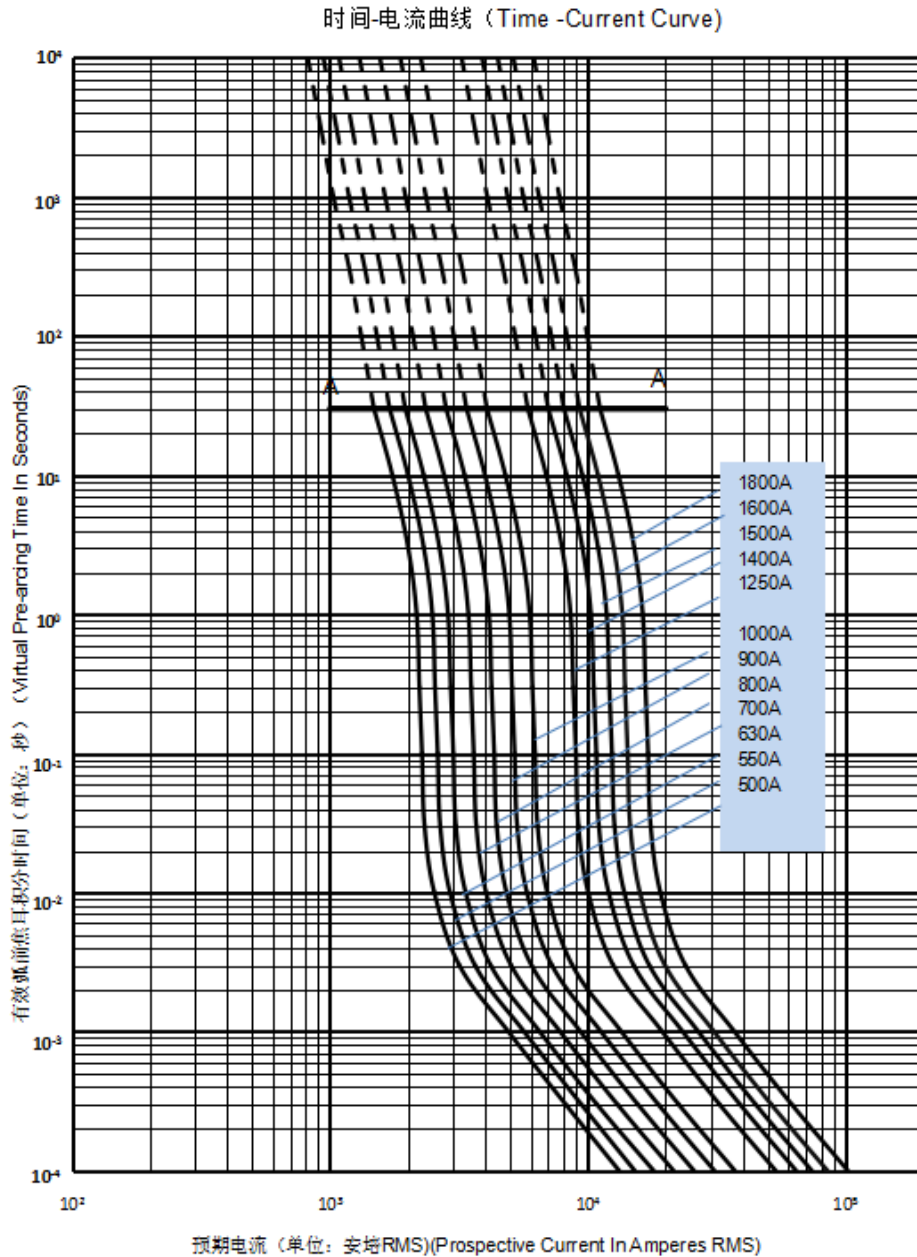
外形尺寸 Dimensions



物料选择 Selection and ordering data

Rated current 【A】	Rated voltage 【V】	Part Number	Power Loss 【w】	Pre-arc ing I^2t 【A ² S】	Total @690V I^2t 【A ² S】	Weight 【Kg/1】	Pack
500	690V	CFM3050LT	87	15000	94000	0.9	3
550		CFM3055LT	90	19000	130000		
630		CFM3063LT	95	31000	200000		
700		CFM3070LT	100	45000	300000		
800		CFM3080LT	105	65000	460000		
900		CFM3090LT	110	90000	660000		
1000		CFM3100LT	115	140000	1800000		
1250		CFM3125LT	125	280000	2500000		
1400		CFM3140LT	130	375000	3200000		
1500		CFM3150LT	140	450000	3850000		
1600		CFM3160LT	155	570000	5300000		
1800	600V	CFM3180LT	165	870000	6400000		

时间电流特性曲线 Time- Current Characteristics Curve



使用条件 Operating condition

No	项目 Item	要求 Requirements
1	使用电压范围 Operating voltage	≤690V
2	使用环境 Operating environment	-5℃~85℃ RH<50%(≥40℃) RH<90%(≤20℃)
3	保存环境 Storage environment	-5℃~85℃ RH<75%
4	海拔高度 altitude	≤2000m(超过范围请联系厂商)
5	安装扭矩 Install torque	M12 39±1N.m
6	污秽等级 Pollution level	III