

产品规格书
PRODUCT SPECIFICATION

客户名称/Customer	
客户料号/Part No.	
客户承认签章 Customer Approved Signatures	

供方/Supplier	友容新源电气（昆山）有限公司 Cfriend Electric (kunshan) Co.,Ltd
文件编号/Spec No.	CF-PS20210907001
品名/Description	FUSE
型号/Model	DBH3050EK~DBH3080EK
日期/Date	2021-9-7
设计/Designed	批准/Approved
胡曾	kevin

地址：中国江苏省昆山市周市镇陆扬友谊北路153号
ADD:No.153, Youyi North road, Zhoushi Town, Kunshan City,
Jiangsu Province in china

电话/Tel: 86-512-36698841

传真/Fax: 86-512-36698843

Http: www.cfriend-electric.com



DBH

DBH-FUSES Fuses for Semiconductor Protection
IEC60269-4/GB/T13539.4 standard

SIZE	Rated Voltage	Operating Class	Rated Breaking Capacity
3	DC 1000V	aR	1000V@50kA

型号 Product model

- DBH3050EK~DBH3080EK

型号诠释 Product Illustration

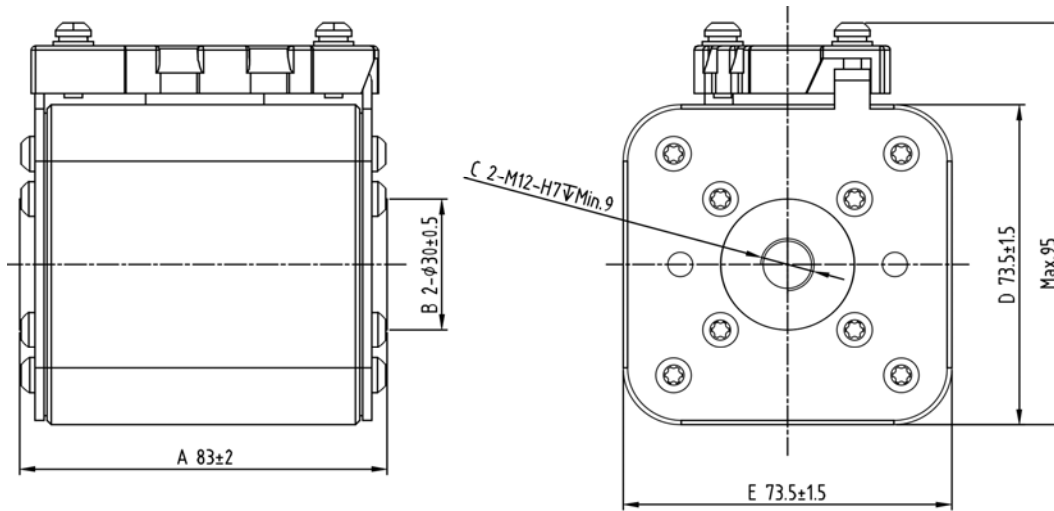
D B H 3 □□□ E K
① ② ③ ④ ⑤ ⑥ ⑦

- ① 直流快速半导体保护用熔断体 (DC fast-acting fuses for semiconductor protection)
- ② 额定电压 (Rated Voltage): B 1000VDC
- ③ 安装方式 (Way of Mounting): H 平端安装 (Flush-end contact)
- ④ 管号规格 (Size): 3 3号管 (size 3)
- ⑤ 额定电流 (Rated Current): A
- ⑥ 安装距离 (Mounting Distance): E 80mm
- ⑦ 指示类型 (Type of Indication): K (K Order)

描述 Description

- 安全可靠的螺栓连接方式 (Safe and reliable connection way of bolting)
- 优越的电气性能，迅速切断系统中的故障电流。
(Excellent electric performance, cut down fault current fastly)
- 设计符合 IEC60269-4/GB/T13539.4 (Design according to IEC60269-4/GB/T13539.4)
- 产品过程符合 ISO9001 质量管理体系要求 (Product Process Conforms to ISO9001)
- 产品、包装符合 RoHS (Product and Package conform to ROHS)

外形尺寸 Dimensions

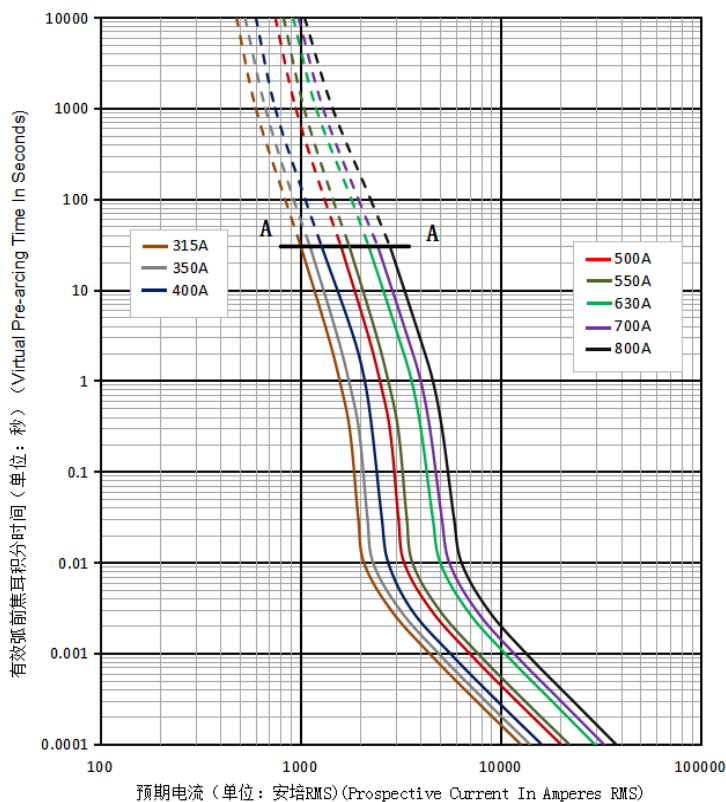


物料选择 Selection and ordering data

Rated current 【A】	Rated voltage 【V】	Part Number	Power Loss 【w】	Pre-arcing I^2t 【A ² S】	Total I^2t @1000V I^2t 【A ² S】	Weight 【Kg/1】	Pack
315	1000	DBH3031EK	90	9000	55000	1.3	1
350		DBH3035EK	95	12500	78000		
400		DBH3040EK	110	20000	120000		
500		DBH3050EK	116	38000	305000		
550		DBH3055EK	120	51000	315000		
630		DBH3063EK	140	83000	666000		
700		DBH3070EK	180	110000	710000		
800		DBH3080EK	200	211000	1050000		

时间电流特性曲线 Time- Current Characteristics Curve

时间-电流曲线 (Time-Current Curve)



使用条件 Operating condition

No	项目 Item	要求 Requirements
1	使用电压范围 Operating voltage	$\leq 1000V$
2	使用环境 Operating environment	$-5^{\circ}C \sim 85^{\circ}C$ $RH < 50\% (\geq 40^{\circ}C)$ $RH < 90\% (\leq 20^{\circ}C)$
3	保存环境 Storage environment	$-5^{\circ}C \sim 85^{\circ}C$ $RH < 75\%$
4	海拔高度 altitude	$\leq 2000m$ (超过范围请联系厂商)
5	安装扭矩 Install torque	M12(8.8) studs:8Nm M12(8.8) nuts:39Nm
6	污秽等级 Pollution level	III

